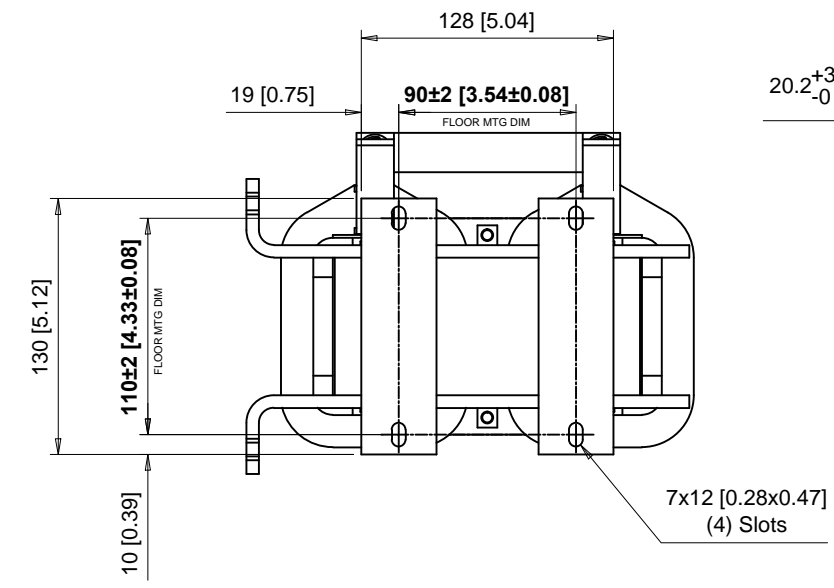


Detail A
Output Bus Bar
Scale 1:1



PART NUMBER	IMPEDANCE (mH)	CURRENT (A)	WEIGHT Kg (lb)	HEAT LOSS (W)
URX000537	1.12	114	20 (44.1)	175

YASKAWA		DRWN. J. MATTAS	12-28-17	TITLE	SIZE A	PAGE 1 OF 1	REV
	UNITS MM [IN]	CHKD. J. PIOTROWSKI	1-3-18	INDUCTOR DIMENSION DRAWING URX000537	DWG.NO. DD.URX000537		0
	SCALE 1:4	TECH. L. UDDIN	1-9-18				
		APRV. J. CAIRO	2-13-18				